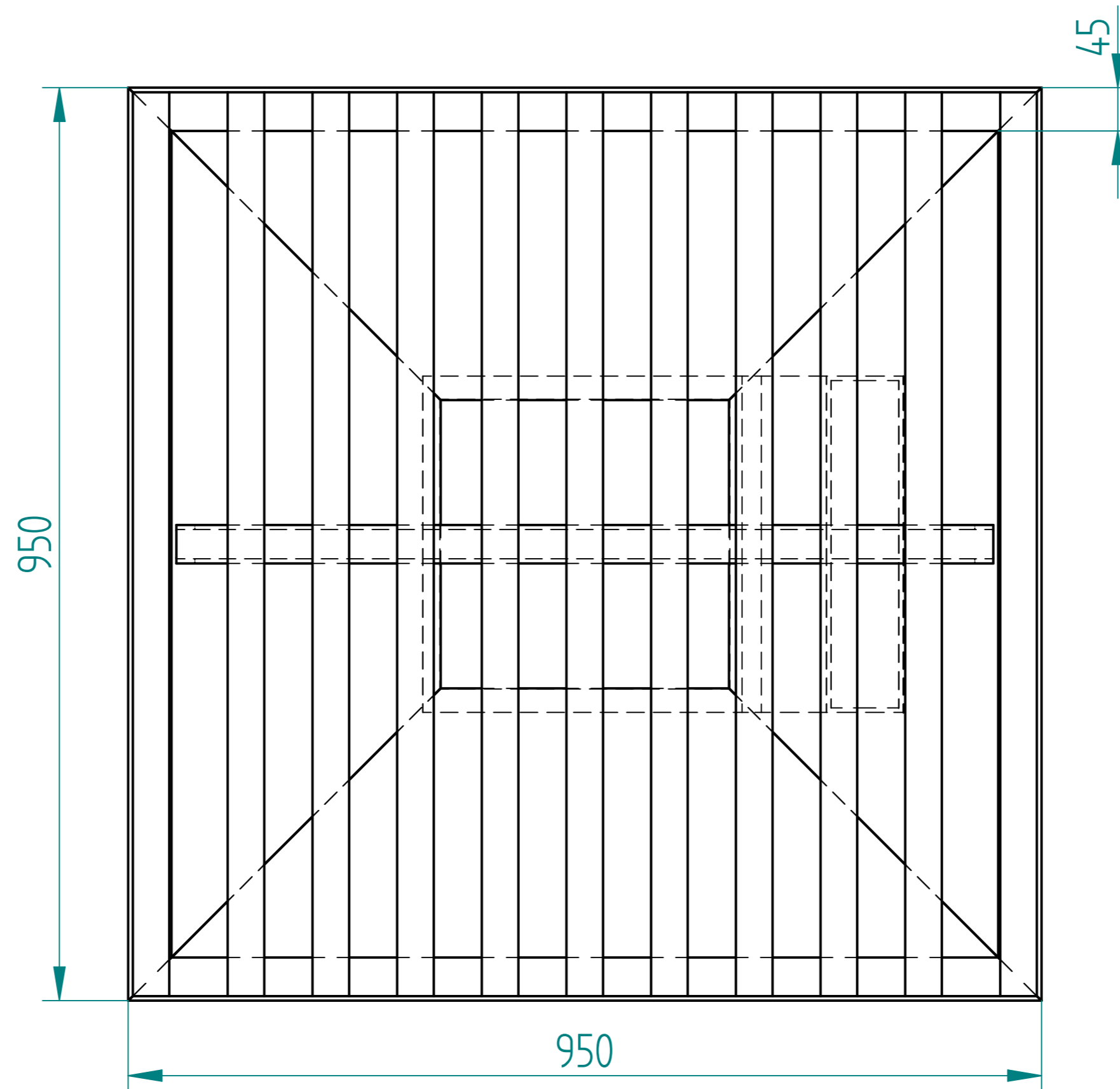
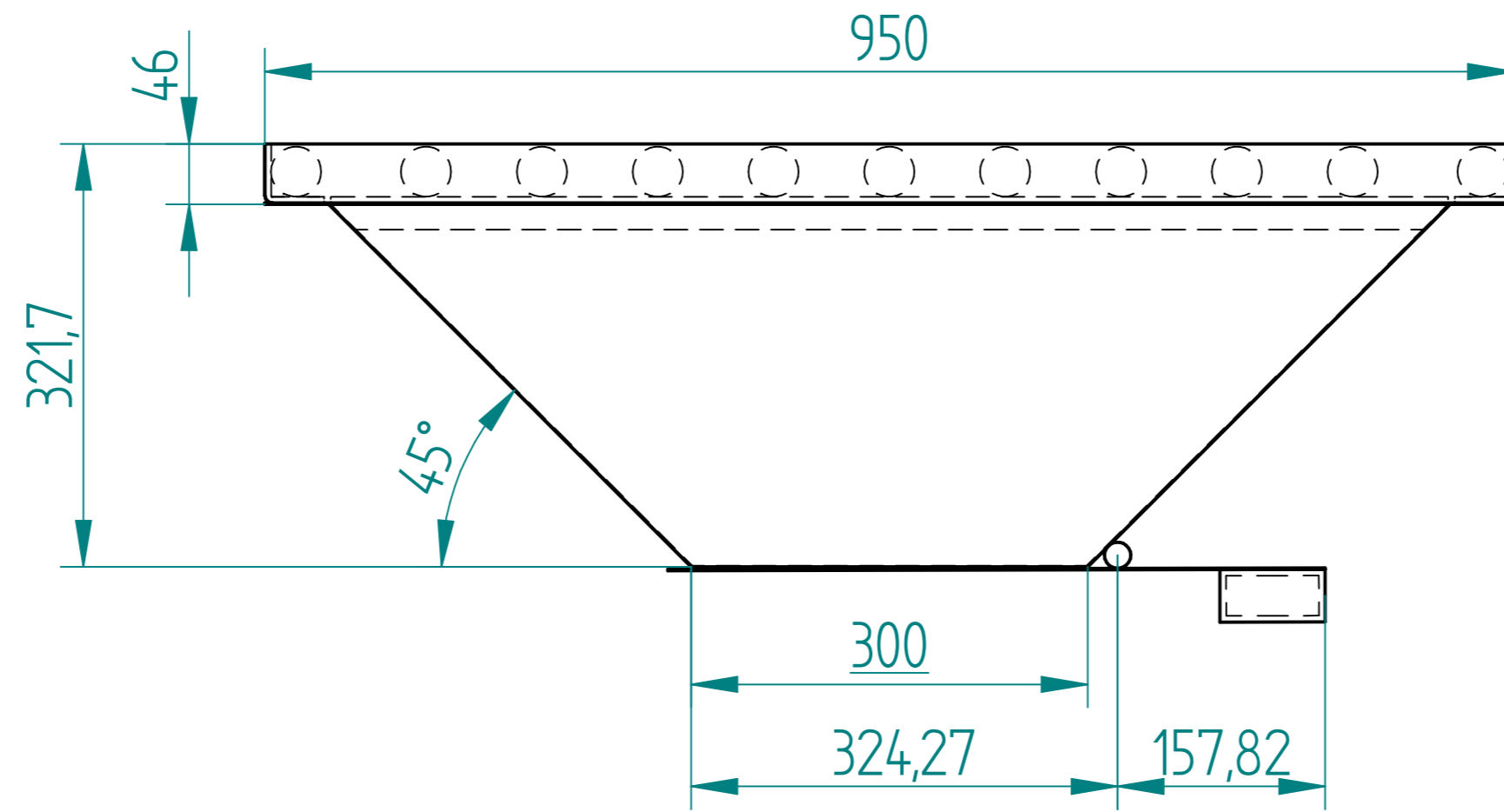


REVISION HISTORY			
REV	DESCRIPTION	DATE	APPROVED



	NAME	DATE	Solid Edge		
DRAWN	Maziero	03/14/17			
CHECKED					
ENG APPR					
MGR APPR			TITLE	Boca de lobo inteligente	
UNLESS OTHERWISE SPECIFIED DIMENSIONS ARE IN MILLIMETERS ANGLES ±X.X° 2 PL ±XXX 3 PL ±XXXX			SIZE A2	DWG NO	REV
			FILE NAME: Boca de lobo.dft		
			SCALE:	WEIGHT:	SHEET 1 OF 1